



necessarily match handing of Operator – refer to table within application drawing page, or contact Truth’s Technical Service Department for further information.

Optional brackets for unique profile applications are available – see Truth’s Stud Bracket & Track section, or contact Truth Hardware for further details.

#11576.XX – Track & Slider, or  
#32384.92 – Low profile track

Optional Accessories:

#11329.XX Folding Handle  
#41211.XX LH Nesting Cover  
#41212.XX RH Nesting Cover  
#31882 – Gasket  
#31883 – Gasket Applicator  
#23058.92 – Backplate (required for Rear Mount options)  
#21306 – Protective red plastic spline cap.

### MAXIM® DYAD OPERATOR



*Drawings begin on pg. 25l.*

- Designed for narrow windows, but will operate a frame width from 16" to 32", and up to 72" high and a sash weight of 55 lbs.
- Fits in all profiles currently using the EntryGard® or Encore® Dyad operators.
- Maxim Dyad provides over 7" of washability with the standard Maxim® 13" hinge and is compatible with Truth’s standard 10" hinge, with reduced washability.

### ORDERING INFORMATION:

1. Specify “standard” or “coastal” package.
  2. Order item number:  
#50.50 or  
#50.51 (low profile) or  
#50.52 (rear-mount)
  3. Specify finish number.
  4. specify right- or left-hand (determined by the side the hinge is on when viewed from the outside).
  5. Select mounting hardware (sold separately).  
#12510.XX – LH Bracket  
#12511.XX – RH Bracket, or  
#11661.XX – LH Bracket (low profile)  
#11662.XX – RH Bracket (low profile)
- NOTE:** Handing of Brackets does not necessarily match handing of Operator – refer to table within application drawing page, or contact Truth’s Technical Service Department for further information.

Optional brackets for unique profile applications are available – see Truth’s Stud Bracket & Track section, or contact Truth Hardware for further details.

Optional Accessories:

#11329.XX Folding Handle  
#41211.XX LH Nesting Cover  
#41212.XX RH Nesting  
#31882 – Gasket  
#31883 – Gasket Applicator  
#23058.92 – Backplate (required for Rear Mount options)  
#21306 – Protective red plastic spline cap.

### MAXIM® REVERSE DYAD OPERATOR

*Drawings begin on pg. 25r.*



- Uniquely designed for narrow windows and specialty windows like round tops, half round, trapezoid, garden, octagon and windows that require Butt Hinges.
- Will work on frame widths down to a minimum of 12" depending upon the thickness of the frame.
- Uses a non-handed bracket which will help reduce inventory issues.

### ORDERING INFORMATION:

1. Specify “standard” or “coastal” package.
2. Order item number:  
#50.70 or  
#50.71 (low profile) or  
#50.72 (rear-mount)
3. Specify finish number.
4. specify right- or left-hand (determined by the side the hinge is on when viewed from the outside).
5. Select mounting hardware (sold separately).

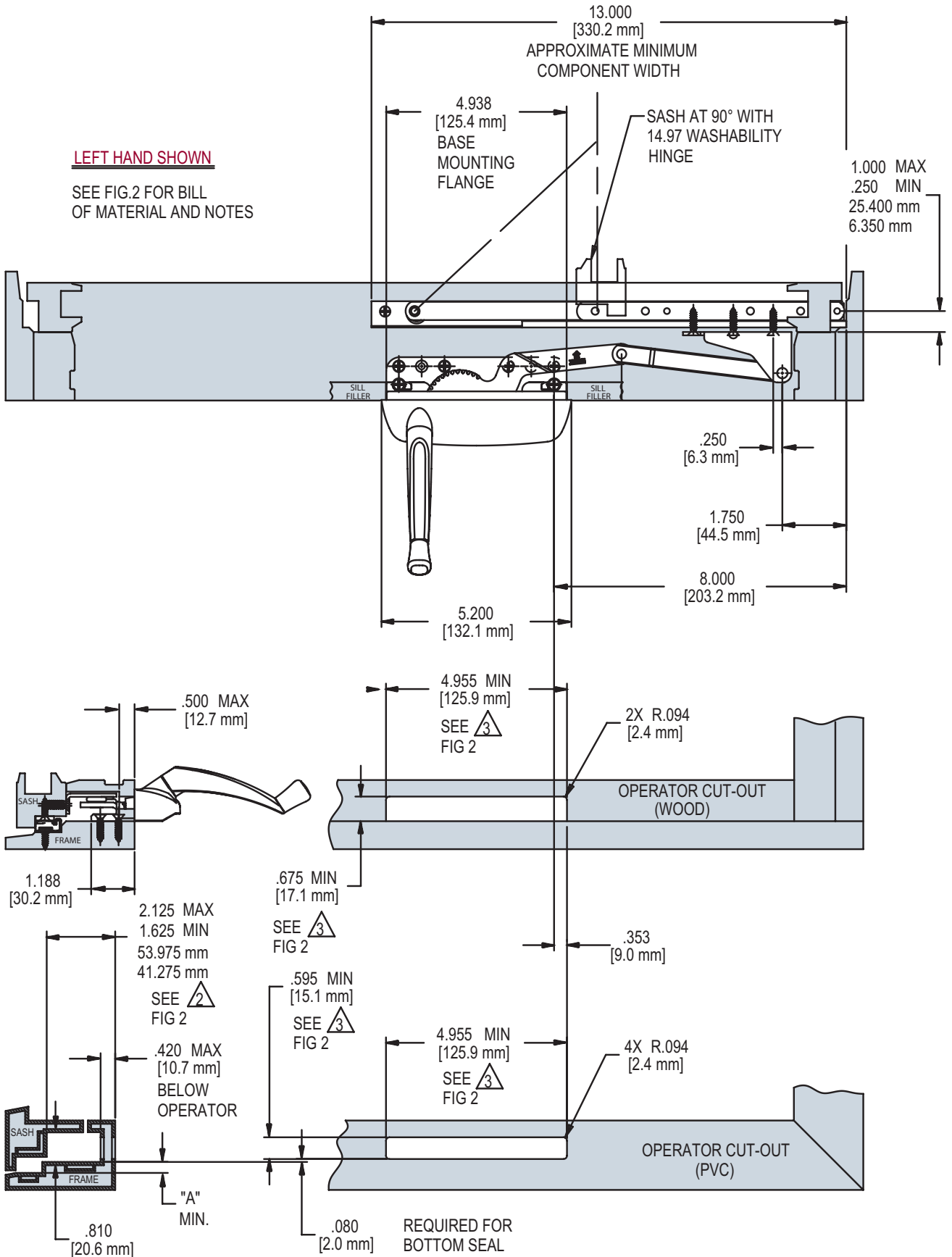
#11674.XX – Non-Handed Bracket

Optional brackets for unique profile applications are available – see Truth’s Stud Bracket & Track section, or contact Truth Hardware for further details.

Optional Accessories:

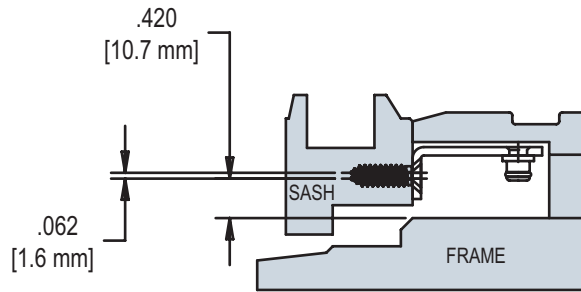
#11329.XX Folding Handle  
#41211.XX LH Nesting Cover  
#41212.XX RH Nesting Cover  
#31882 – Gasket  
#31883 – Gasket Applicator

**FIG. 1 APPLICATION OF STANDARD MAXIM DYAD OPERATOR  
(SILL MOUNT VERSION)**



# MAXIM® DYAD OPERATORS (SILL MOUNT)

FIG. 2 APPLICATION OF STANDARD MAXIM DYAD OPERATOR (CONTINUED)  
(SILL MOUNT VERSION)



## 12511.XX BRACKET PLACEMENT

HARDWARE SHOWN FOR LEFT HAND WINDOW, SEE FIG. 1	
PART NUMBER	DESCRIPTION
50.50.XX.011	DYAD OPERATOR
12511.XX	STUD BRACKET
14.97.00.XXX	WASHABILITY HINGE
11454.XX	CONTOUR HANDLE
31882	GASKET (PVC)

HINGE	"A"
14.97.00.XXX	.300 [7.6 mm]
14.12.00.XXX	
OTHER 14 SERIES CASEMENT HINGE	.250 [6.4 mm]

### NOTES:

1. STUD BRACKET 12510.XX AND 12511.XX REQUIRES THE SAME MOUNTING LOCATION FOR BOTH THE ENCORE DUAL ARM OPERATOR AND THE ENCORE DYAD OPERATOR.

2. STUD BRACKET 12510.XX AND 12511.XX MAY NOT FIT IF 2.125/1.625 DIMENSION (SEE FIG. 1) IS LESS THAN 1.875. CONTACT TRUTH FOR RECOMMENDATIONS.

3. HOLD THIS DIMENSION AS CLOSE TO THE MINIMUM AS MANUFACTURING TOLERANCES ALLOW. A CLOSE FITTING CUT-OUT HELPS TO STABILIZE THE OPERATOR AGAINST ROCKING.

4. GASKET 32658 IS REQUIRED ON PVC AND METAL PROFILES FOR AN IMPROVED AIR AND WATER SEAL

5. HANDLE/COVER IS OPPOSITE HAND ON ENCORE DYAD OPERATORS. EXAMPLE: LH ENCORE DYAD OPERATORS REQUIRE RH HANDLE/COVER

**FIG. 3 STANDARD MAXIM DYAD OPERATOR  
(SILL MOUNT VERSION)**

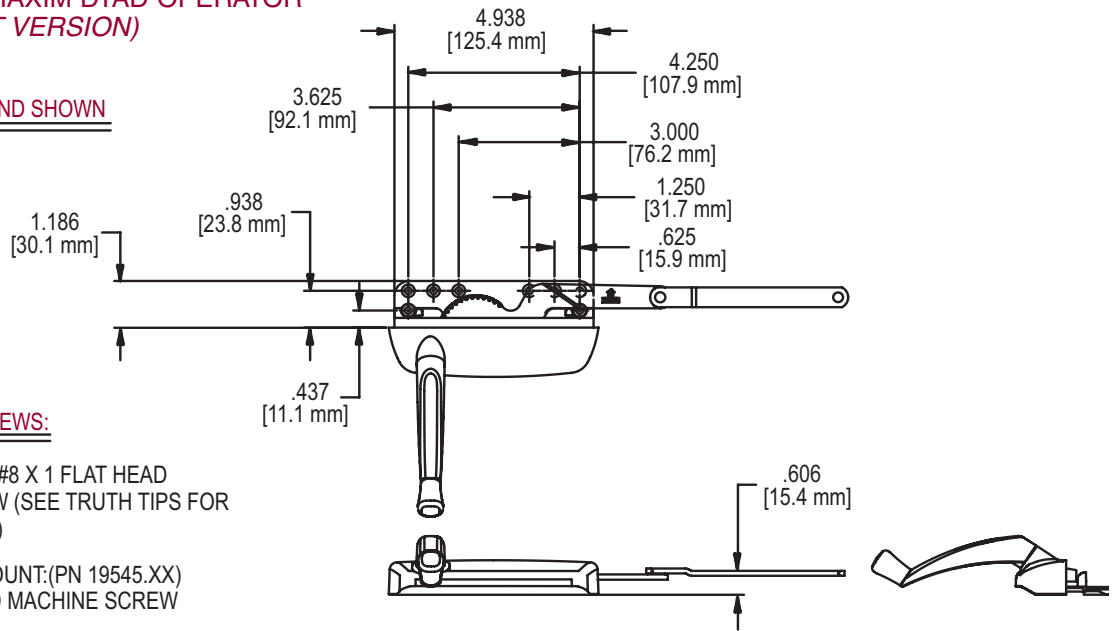
50.50.XX.011 LEFT HAND SHOWN

50.52 REAR MOUNT  
VERSION AVAILABLE

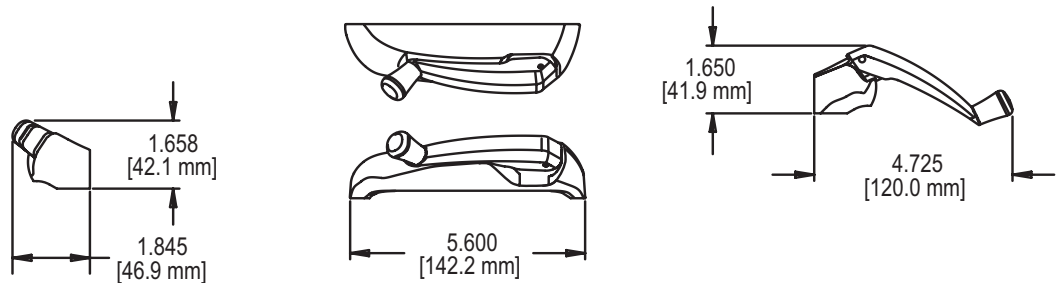
RECOMMENDED SCREWS:

(QTY 6)(PN 19240.XX)#8 X 1 FLAT HEAD  
SHEET METAL SCREW (SEE TRUTH TIPS FOR  
MORE INFORMATION)

(QTY 2)FOR REAR MOUNT;(PN 19545.XX)  
#8-32 X 3/8 PAN HEAD MACHINE SCREW

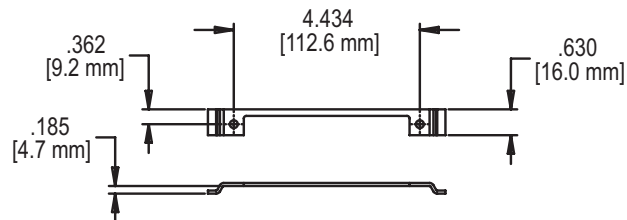


**FIG. 4 MAXIM COVER 41211.XX /HANDLE 11329.XX(LH) (SHOWN)**



**FIG. 5 BACK PLATE 23058.92**

FOR USE WITH  
50.52 REAR MOUNT  
VERSION ONLY



**FIG. 6 STUD BRACKET 12510.XX(LH) (SHOWN) 12511.XX(RH)**

STAINLESS STEEL VERSION AVAILABLE

HAND OF BRACKET DOES NOT NECESSARILY  
MATCH HAND OF OPERATOR

RECOMMENDED SCREWS:

(QTY 3)(PN 19240.XX)#8 X 1 FLAT  
HEAD SHEET METAL SCREW (SEE TRUTH  
TIPS FOR MORE INFORMATION)

